



Model 10

Project _____
 Item _____
 Quantity _____
 CSI Section 11400
 Approval _____
 Date _____

Model 10

Models

- Model 10A Model 10AB Model 10APRB



Standard Features

Model 10A

- Incoming water pressure regulator
- Automatic and manual controls
- Electric wash tank heat with low water protection
- External vacuum breaker
- Exclusive counter-rotating wash arms provide superior wash action
- Round design distributes even wash action, giving superior results
- Heavy duty construction for years of reliable service
- Must be connected to a 180° F minimum potable water source for sanitizing rinse
- Includes three (3) 17-1/2" diameter round racks: one (1) Dish, one (1) Combination, and one (1) Four Compartment Silver

Model 10AB

All the standard features as the Model 10A, plus a 6.5 kW built-in booster heater. The booster heater is sized to raise incoming water 40° F to 50° F and is thermostatically controlled to maintain proper sanitizing temperature. The Model 10AB must be connected to a 140° F minimum potable water source to guarantee proper sanitizing rinse.

Model 10APRB

All the standard features as the Model 10AB, plus a 1/2 hp pump to ensure proper flow pressure during the rinse cycle. The Model 10APRB is designed for areas of low and/or fluctuating water pressure and is highly recommended for facilities on well water systems and anywhere flow pressure is below 15 psi. The Model 10APRB must be connected to a 140° F minimum potable water source to guarantee proper sanitizing rinse.

Mandatory Specs

Specify voltage _____

Accessories

- Peg Rack
 Combination Rack
 12-Compartment Rack
 6-Compartment Silverware Basket

Specifications

Uses 1.29 gallons of water per rack

34" standard table height

45 racks per hour

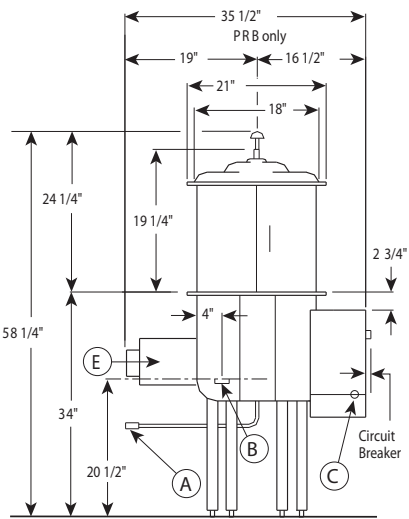
Durable 304 stainless steel construction

Fully automatic 72-second cycle

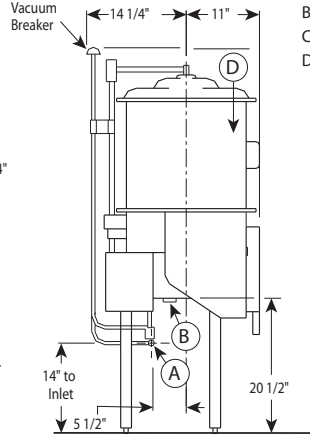
4.5 gallon wash tank

17-1/4" inside chamber clearance





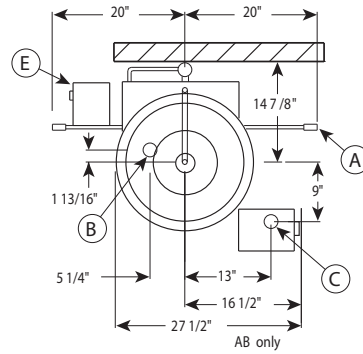
FRONT VIEW



LEFT SIDE

LEGEND:

- A - Water inlet - 1/2" IPS, plumbing can be directed to either right or left
 - B - Drain - 1-1/2" IPS
 - C - Electrical connection
 - D - Clearance for dishes - 14"
 - E - Power rinse pump motor (Model 10 APRB only)
- All dimensions in inches.
All vertical dimensions are +/- 1/2" from floor due to adjustable bullet feet.



TOP VIEW

MODEL NO.	MACHINE DIMENSIONS			DRAIN HEIGHT	SHIPPING INFORMATION					
	HEIGHT	WIDTH	DEPTH		WEIGHT	CLASS	CUBE	HEIGHT	WIDTH	DEPTH
Model 10A	58-1/4" (1480 mm)	27-1/2" (699 mm)	24-1/4" (616 mm)	20-1/2" (521 mm)	200 lbs (91 kg)	92.5	58.55 cu. ft.	73" (1854 mm)	42" (1067 mm)	33" (838 mm)
Model 10AB	58-1/4" (1480 mm)	27-1/2" (699 mm)	24-1/4" (616 mm)	20-1/2" (521 mm)	200 lbs (91 kg)	92.5	58.55 cu. ft.	73" (1854 mm)	42" (1067 mm)	33" (838 mm)
Model 10APRB	58-1/4" (1480 mm)	35-1/2" (902 mm)	24-1/4" (616 mm)	20-1/2" (521 mm)	200 lbs (91 kg)	92.5	58.55 cu. ft.	73" (1854 mm)	42" (1067 mm)	33" (838 mm)

APPROXIMATE TOTAL LOAD AMPS				
	Model 10A	Model 10AB	Model 10APRB	
208V / 60HZ / 1PH	8.23	38.8	43.4	
208V / 60HZ / 3PH	N/A	25.6	30.2	
220V / 60HZ / 1PH	8.23	37.2	41.8	
220V / 60HZ / 3PH	N/A	24.6	29.2	

ELECTRICAL RATING	
Wash Pump Motor	1/2 hp
Rinse Pump Motor (APRB only)	1/2 hp
Electric Wash kW	3/4 kW
Electric Wash Rinse kW	6-1/2 kW

OPERATING CAPACITY	
Racks Per Hour	45
Dishes Per Hour	450
Glasses Per Hour	1215

OPERATING CYCLE (seconds)	
Wash Time	60
Rinse Time	10
Dwell Time	2
Total Cycle	72

WATER REQUIREMENTS	
Inlet Temperature	
Model 10A	180° F (82° C)
Model 10AB	140° F (60° C)
Model 10APRB	140° F (60° C)
Gallons Per Hour	58 gal (220 L)
Waterline Size IPS (minimum-inches)	1/2"
Drainline Size IPS (minimum-inches)	1-1/2"
Flow Pressure (PSI)	15 - 25
Flow Rate (GPM)	7.8 gal (30 L)
Wash Tank Capacity	4.5 gal (17 L)
Booster Tank Capacity	3 gal (11 L)
Pump Capacity (GPM)	70 gal (265 L)

OPERATING TEMPERATURES	
Wash (minimum)	150° F (66° C)
Rinse (minimum)	180° F (82° C)

HOW TO SPECIFY: Model 10A
Model 10AB
Model 10APRB

Jackson WWS, Inc.
Shipping Address: 6209 North U.S. Highway 25E, Gray, KY 40734
Mailing Address: P.O. Box 1060, Barbourville, KY 40906
Telephone: 888-800-5672 • Fax: 606-523-1799
Email: info@jacksonwws.com
07610-002-66-65B [03/22/13]

www.jacksonwws.com