



# TempStar® HH

Project \_\_\_\_\_  
 Item \_\_\_\_\_  
 Quantity \_\_\_\_\_  
 CSI Section 11400  
 Approval \_\_\_\_\_  
 Date \_\_\_\_\_

TempStar® HH

## Models

TempStar® HH



### Standard Features

- Sani-Sure™ feature assures proper rinse water temperature
- Multi-cycle timer (Extra Heavy, Heavy, Medium, Normal)
- Extended 15sec. high-temperature rinse provides superior coverage and rapid drying
- 20-3/4" wide X 27" high (527mm X 686mm) opening accommodates 18" X 26" (457mm X 660mm) sheet pans and 60-quart mixing bowls
- Auto-fill / auto-start
- Door safety switch
- Delime/manual wash switch
- Low watt density electric wash tank heater
- Hi-limit thermostat and low water protection
- Vent fan control
- Adjustable bullet feet
- Uses standard 20" X 20" (508 mm X 508 mm) racks
- Front dress panel
- Detergent/rinse additive signal connection fuse box
- Built-in 70° F (38.9° C) rise booster heater is standard; 40° F (22.2° C) rise booster heater is available but must be specified at time of order
- Lower counter-rotating wash arms and upper wash arm provide optimum spray coverage and superior cleaning action
- Self-draining stainless steel pump
- Split-door design accommodates installations with low ceiling heights
- Large scrap basket

### Mandatory Specs

- Specify:
- Electric
  - Steam
- Specify voltage \_\_\_\_\_
- Specify booster size \_\_\_\_\_

### Options

- Optional 40° F (22.2° C) rise booster heater is available at no additional cost (must be specified)
- Drain Quench System
- Scaltrol
- Flanged Feet
- Water Hammer Arrestor
- 480V
- Single Phase
- Security Package
- False Panel
- Safety Door Interlock
- Steam Booster Heater

### Accessories

- 36-Compartment Rack
  - 4-1/8" tall (105 mm)
  - 5-5/8" tall (143 mm)
  - 7" tall (178 mm)
- Combination Rack
- Peg Rack
- Sheet Pan Rack - for 18" X 26" (457mm X 660mm) baking pans

## Specifications

Uses 1.36 gallons (5 liters) of 180°F (82°C) water per rack

Total automatic (normal) cycle - 62 seconds

53 racks per hour (normal) cycle

2 HP Wash Pump Motor

Single point connections for all utilities

Built-in water pressure regulator and gauge

Field convertible from straight through to corner and vice versa

Heavy duty stainless steel construction



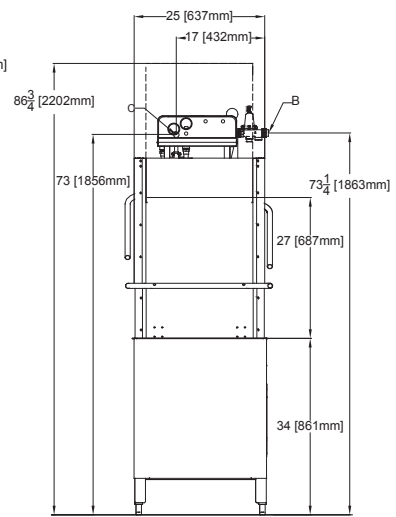
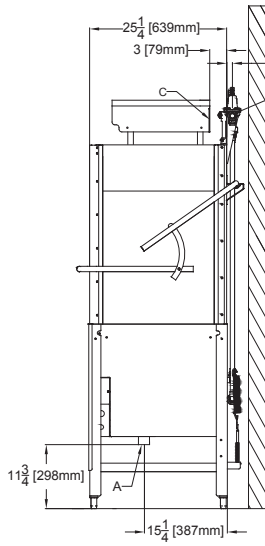
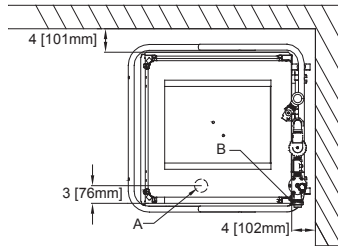


# TempStar® HH

**LEGEND**

- A - DRAIN 1 1/2" IPS
- B - WATER INLET 3/4" IPS
- C - ELECTRICAL CONNECTION

All vertical dimensions are +/- 1/2" due to adjustable bullet feet.



| MODEL NO.    | MACHINE DIMENSIONS   |                     |                     | DRAIN HEIGHT        | SHIPPING INFORMATION |       |                 |                  |                 |                  |
|--------------|----------------------|---------------------|---------------------|---------------------|----------------------|-------|-----------------|------------------|-----------------|------------------|
|              | HEIGHT               | WIDTH               | DEPTH               |                     | WEIGHT               | CLASS | CUBE            | HEIGHT           | WIDTH           | DEPTH            |
| TempStar® HH | 76-3/4"<br>(1949 mm) | 25-1/4"<br>(641 mm) | 25-1/4"<br>(641 mm) | 11-3/4"<br>(298 mm) | 420 lbs<br>(191 kg)  | 92.5  | 77.7<br>cu. ft. | 83"<br>(2108 mm) | 33"<br>(838 mm) | 49"<br>(1245 mm) |

| DIMENSION REQUIREMENTS               |                |
|--------------------------------------|----------------|
| Minimum Ceiling Height (recommended) | 88" (2 meters) |
| Wall Clearance (minimum)             | 4" (102 mm)    |
| Standard Table Height                | 34" (864 mm)   |
| Inside Clearance                     | 27" (686 mm)   |

| STEAM REQUIREMENTS             |       |
|--------------------------------|-------|
| Steam Flow Pressure (PSIG)     | 15-20 |
| Consumption @ 15 PSIG (lbs/hr) | 45    |

| OPERATING CAPACITY        |              |              |             |                   |
|---------------------------|--------------|--------------|-------------|-------------------|
| Racks per Hour            | Normal<br>53 | Medium<br>28 | Heavy<br>19 | Extra Heavy<br>11 |
| OPERATING CYCLE (seconds) | Wash         | Rinse        | Dwell       | Total Cycle       |
| Normal                    | 45           | 15           | 2           | 62                |
| Medium                    | 103          | 15           | 2           | 120               |
| Heavy                     | 163          | 15           | 2           | 180               |
| Extra Heavy               | 283          | 15           | 2           | 300               |

| WATER REQUIREMENTS           |                  |
|------------------------------|------------------|
| Inlet Temperature            |                  |
| 40°F (22.2°C) Rise           | 140°F (60°C)     |
| 70°F (38.9°C) Rise           | 110°F (43°C)     |
| Gallons per Hour             | 72.1 gal (273 L) |
| Gallons per Rack             | 1.36 gal (5 L)   |
| Waterline Size IPS (minimum) | 3/4"             |
| Drainline Size IPS (minimum) | 1- 1/2"          |
| Flow Pressure (PSI)          | 15-25            |
| Tank Capacity                | 3 gal (11 L)     |
| Wash Tank Capacity           | 8 gal (30 L)     |
| Booster Tank Capacity        | 3 gal (11 L)     |

| OPERATING TEMPERATURES |                |
|------------------------|----------------|
| Wash (minimum)         | 150° F (66° C) |
| Rinse (minimum)        | 180° F (82° C) |

| WASH PUMP MOTOR                                 |       |      |
|---|-------|------|
| Wash Pump Motor Horsepower                      |       | 2 HP |
|   | Volts | KW   |
| Electric Wash Tank Heater                       | 208V  | 4.1  |
|   | 230V  | 5.0  |
|   | 460V  | 5.0  |
| Electric Rinse Tank Heater - 40°F (22.2°C) Rise | 208V  | 9.0  |
|   | 230V  | 11.0 |
|   | 460V  | 11.0 |
| Electric Rinse Tank Heater - 70°F (38.9°C) Rise | 208V  | 10.5 |
|   | 230V  | 12.9 |
|   | 460V  | 12.9 |

| APPROXIMATE LOAD AMPS |                    |                    |
|-----------------------|--------------------|--------------------|
|                       | 40°F (22.2°C) Rise | 70°F (38.9°C) Rise |
| Power Supply          | AMPS               | AMPS               |
| 208V/60HZ/1PH         | 74.2               | 81.4               |
| 208V/60HZ/3PH         | 47.6               | 51.8               |
| 230V/60HZ/1PH         | 80.9               | 89.0               |
| 230V/60HZ/3PH         | 51.4               | 56.2               |
| 460V/60HZ/3PH         | 23.4               | 25.8               |

HOW TO SPECIFY: TempStar® HH

**Jackson WWS, Inc.**

Shipping Address: 6209 North U.S. Highway 25E, Gray, KY 40734  
 Mailing Address: P.O.Box 1060, Barbourville, KY 40906  
 Telephone: 888-800-5672 • Fax: 606-523-1799  
 Email: info@jacksonwws.com  
 07610-002-66-60B [03/22/13]

[www.jacksonwws.com](http://www.jacksonwws.com)