

Project _____
 Item _____
 Quantity _____
 CSI Section 11400 _____
 Approval _____
 Date _____

Models

LoH₂O (JFT)



Options

- Blower dryer
- Additional wash section
- Additional load module
- Additional unload module
- 25' (8m) wash down hose - mounted
- Electrical connection with circuit breakers
- Dual point electrical connection
- Low profile doors
- Flanged feet
- Multiple conveyor peg choice
- Drain at load or unload end
- Prison Package

Standard Features

- Uses 58 gallons (219.5 liters) of water per hour with sanitizing hot water rinse
- All tanks and hoods constructed from 16 gauge 304 stainless steel with a No. 3 finish and heliarced welded
- Stainless steel frame, legs and feet
- Two tank rackless conveyor shall have a maximum capacity of 11,094 dishes per hour at a belt speed of 6.7 (2.0 M) feet per minute. At 5.3 feet (1.6 M) per minute capacity will be 8,772 dishes per hour
- Belt width of 29" (737 mm) and a maximum clearance of 25" (635 mm) throughout the machine
- Rear enclosure panels, hood and doors are stainless steel and double-wall insulated to reduce heat dissipation, outside surface temperatures, and noise pollution
- Insulated access doors for easy access, cleaning and servicing
- Sloped tank(s) design to increase visibility and accessibility for cleaning as well as ensure complete tank draining
- Heated power rinse zone uses fresh rinse water a second time to provide pristine results
- Exclusive Rainbow Rinse™ features an arched, removable upper rinse arm that provides superior rinse action while reducing water usage
- A sequential digital temperature readout of each tank housed in the door of the electrical control panel. The readouts will constantly display the temperature of the pre-wash, wash, power rinse and final rinse in 5 second intervals
- A ball valve in the drain line of each tank and interconnected to a common machine drain connection at the load end of the machine
- Each tank will be automatically filled and maintained by a dual water level float. Water will be automatically added to the machine when required
- Block manifold wash arms are easy to remove, clean, and replace with non-clogging convex wash arm jet
- Large, removable scrap screens
- Pre-wash includes a deep-well removable scrap basket in addition to a large removable scrap screen
- Self draining stainless steel pumps, impellers, and housings are readily accessible and serviceable
- Service access from front of machine
- Conveyor belt drive operates at two speeds and is protected by an overload safety device and an automatic shut-down actuator
- Each door is equipped with a safety switch. If a door is opened during operation the switch will immediately shut down the pumps and belt
- Operator activated start-stop switches on both the load and unload ends and the control panel
- Belt tension adjustment
- Removable insulated panels to enclose the unit down to the base frame on both the front and rear of the machine
- A single, built-in 18" square (457 mm x 457 mm) indirect vent connection with a 0.19 hp exhaust fan mounted in a cleanable cross duct on the machine for exhaust steam removal and indirect vent connection
- 3" minimum wall clearance



Intertek

SHIPPING ADDRESS

6209 North U.S. Highway 25E
 Gray, KY 40734

MAILING ADDRESS

P.O. Box 1060
 Barbourville, KY 40906

Tel: 1-888-800-5672

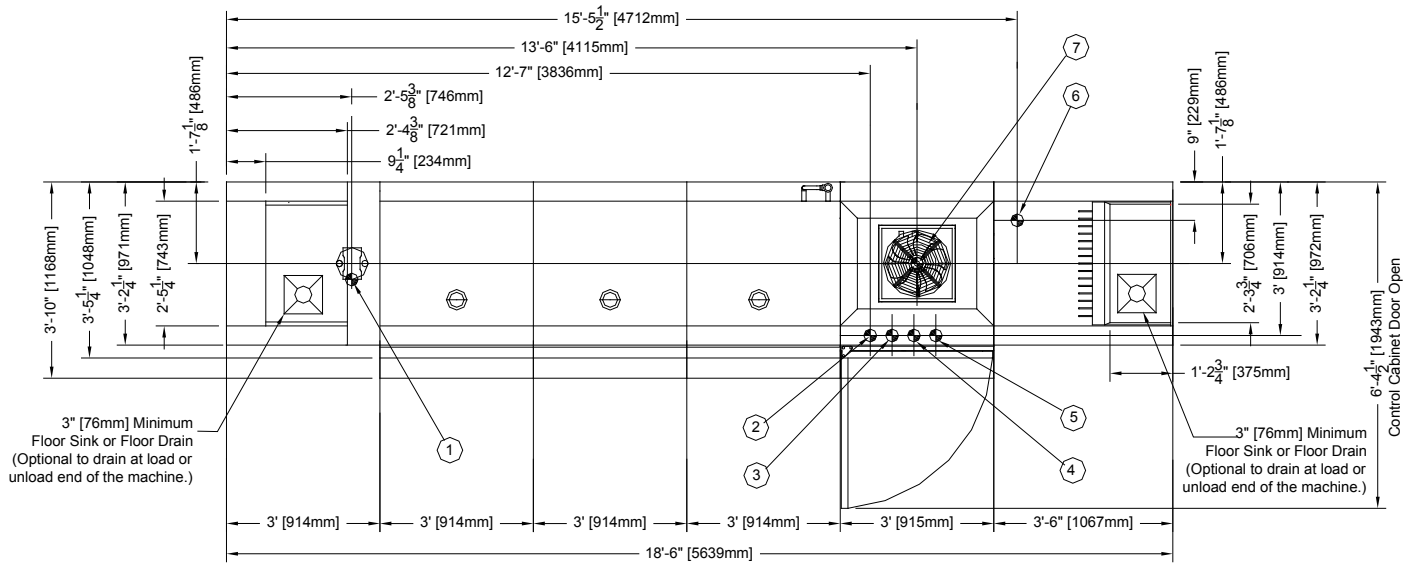
Fax: 606-523-1799

info@jacksonmsc.com

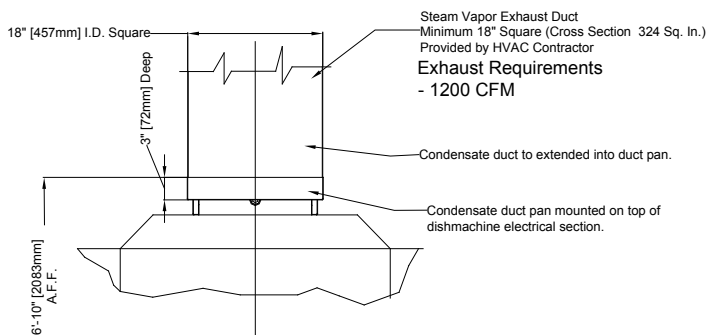
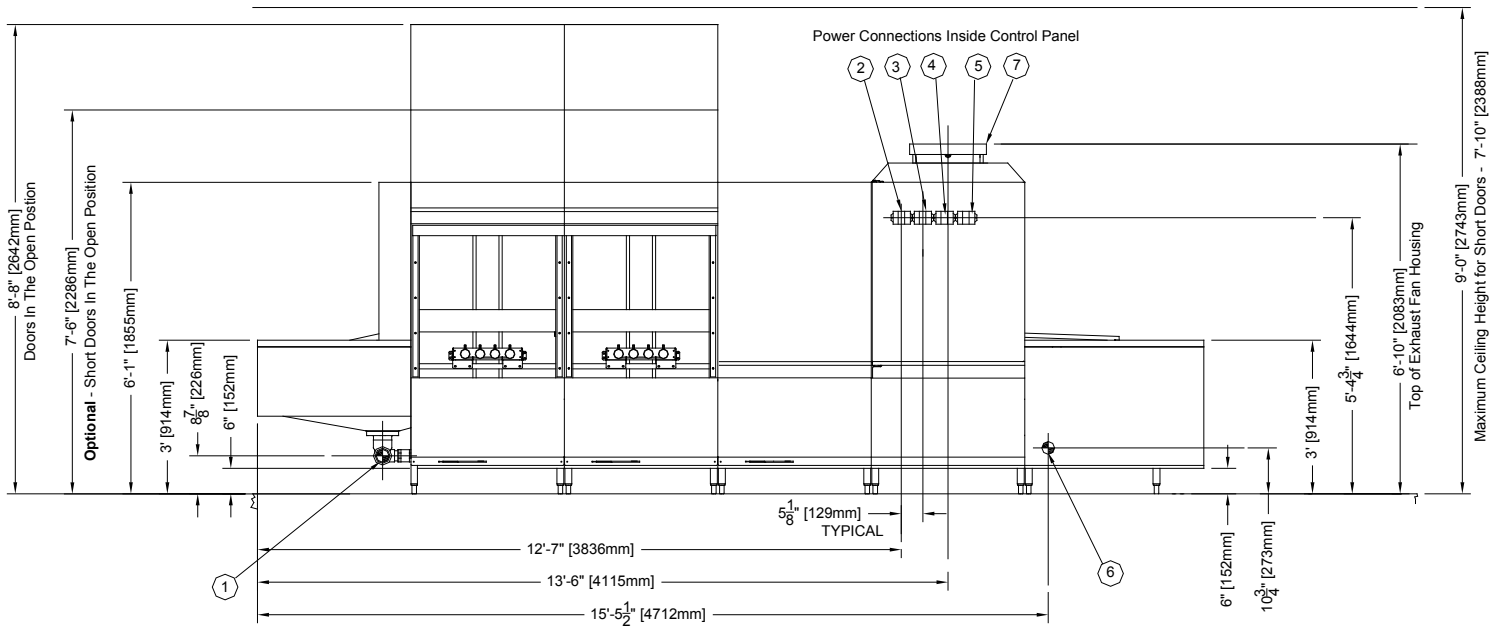
www.jacksonmsc.com



Electric



DIRECTION OF OPERATION →



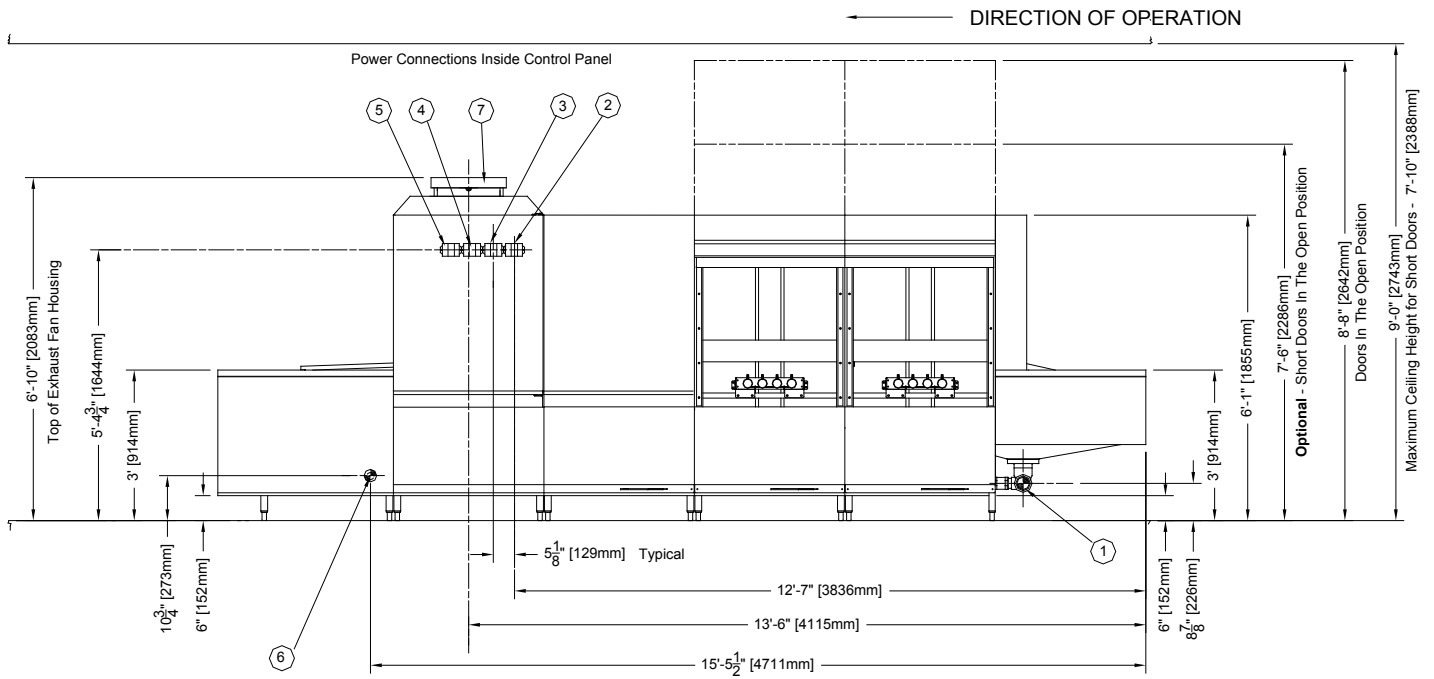
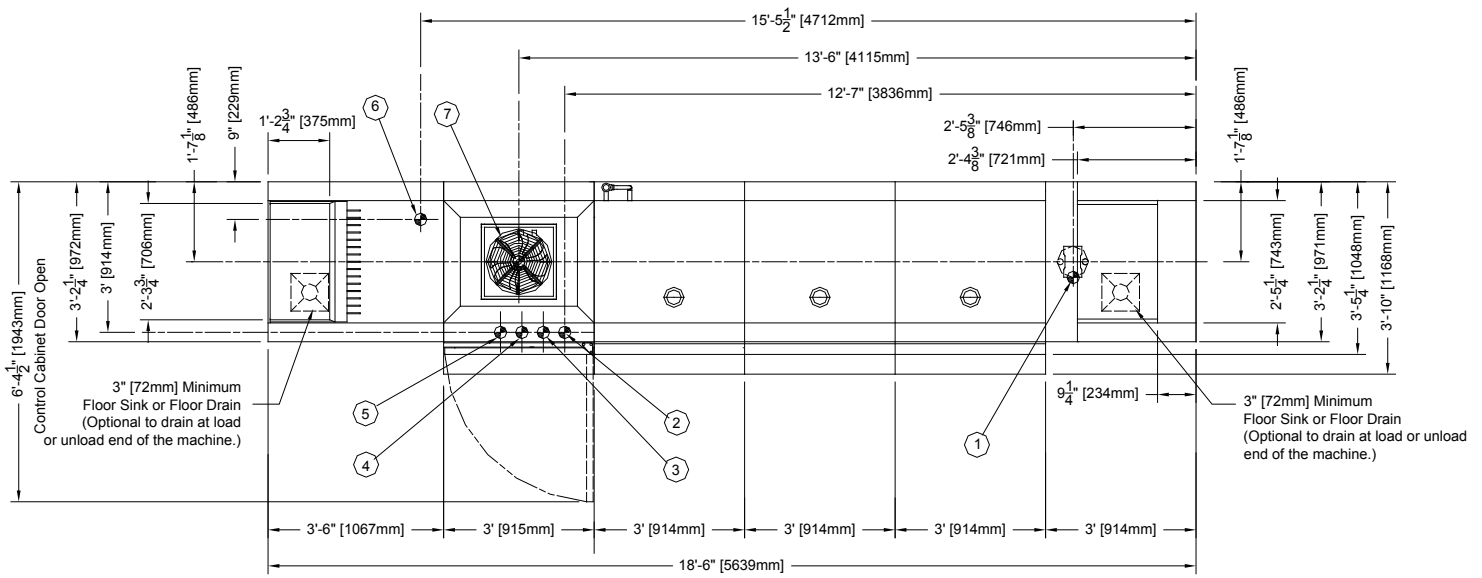
Legend

- 1 - 2" NPT Machine Drain Connection
(Floor drain - optional to either end)
- 2 - *Wash Tank Electrical Connection
- 3 - *Rinse Tank Electrical Connection
- 4 - *Booster Heater Electrical Connection
- 5 - *Motor Controls Electrical Connection
- 6 - 3/4" NPT Incoming Water Connection
- 7 - Vent Connection - See Detail

*See Table For Amp Draw

Note:

The steam vapor removal system built into the dishmachine consists of a fan that will remove 1200 CFM. A single steam vapor connection must be provided by the installing contractor. This is an indirect connection that must be capable of removing 1200 CFM from the area.



Jackson Electric Rackless Conveyor					
Wash, Power Rinse & Final Rinse					
Electrical requirements with booster*					
	Heater kW	Pump HP	208V	230V	460V
Wash Heater & Pump Section	24	3	75.5	63.5	31.8
Power Rinse Heater & Pump Section	33	3	100.5	84.3	42.1
Pre-Wash Pump, Motors & Controls	-	3	11.4	10.4	5.4
Booster*	18†		47.7	41.5	20.8
Totals			235.1	199.7	100.1

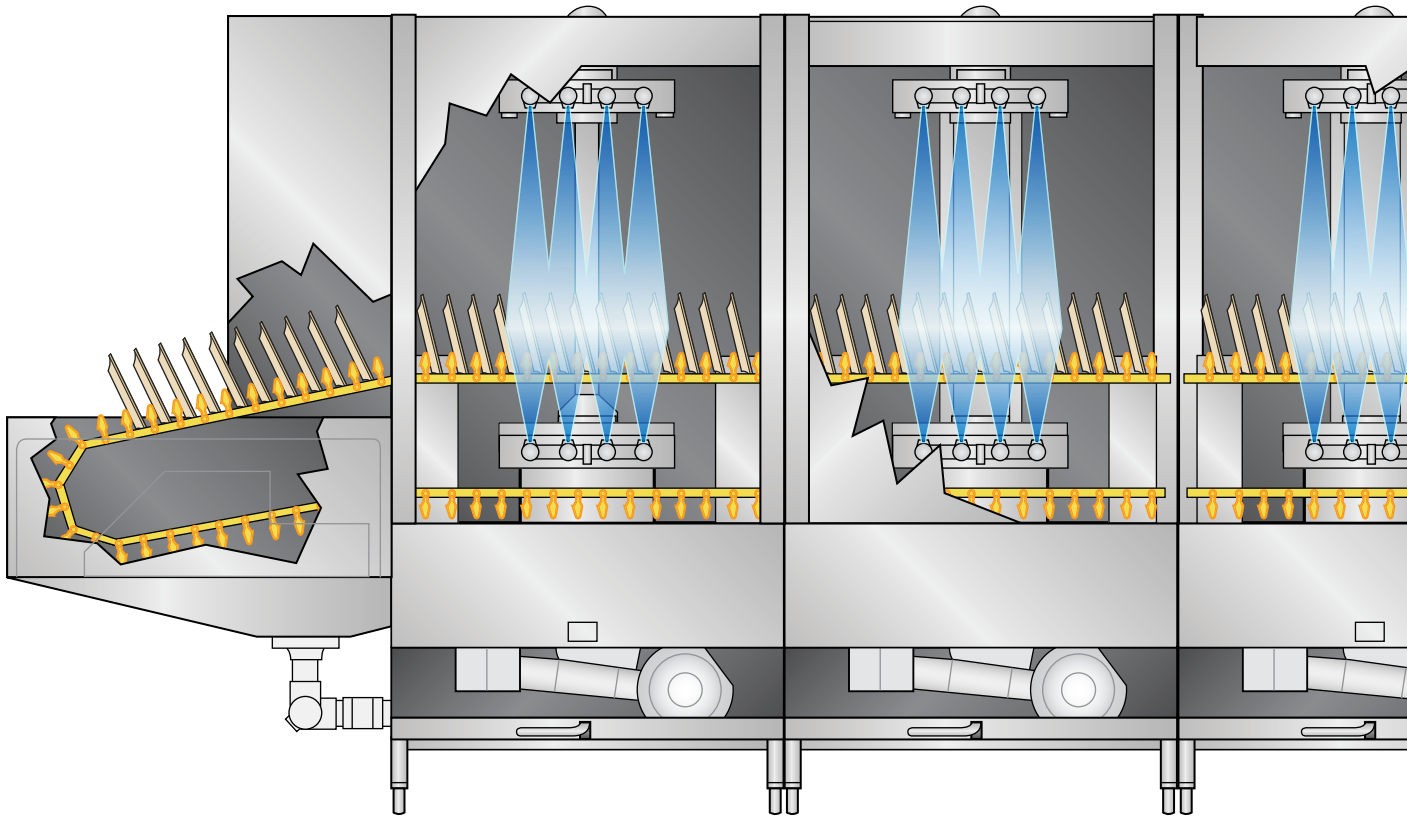
*70° F rise booster †208V booster is 17.2kW

JFT (electric) comes standard with 4-point electrical hookup. For other variations, please contact the factory.

Jackson Electric Rackless Conveyor with Blower Dryer					
Wash, Power Rinse & Final Rinse					
Electrical requirements with booster*					
	Heater kW	Pump HP	208V	230V	460V
Wash Heater & Pump Section	24	3	75.5	63.5	31.8
Power Rinse Heater & Pump Section	33	3	100.5	84.3	42.1
Pre-Wash Pump, Motors, Blower Dryer Heater & Controls	9	3	43.6	39.4	19.9
Booster*	18†		47.7	41.5	20.8
Totals			267.3	228.7	114.6

*70° F rise booster †208V booster is 17.2kW

If water hardness exceeds 3 grains,
a water softener is required



Load

A "start/stop" switch is located at the load end of the machine for the operator's convenience.

Load platform is 12 gauge stainless steel.

Pre-Wash Tank

The pre-wash tank features a stainless steel manifold system with stricture-free jets to optimize pressure for soil removal and to provide easy access for removal and cleaning.

A 3.0 hp, 1725 RPM motor and pump is horizontally mounted. The pump housing is stainless steel and self-draining. A stainless steel strainer with a removable basket is included. The pre-wash tank features a sloped design to ensure complete tank draining and to minimize soil build-up.

Wash Tank

The wash tank features a stainless steel manifold system with stricture-free jets to optimize pressure for soil removal and to provide easy access for removal and cleaning.

A 3.0 hp, 1725 RPM motor and pump is horizontally mounted. The pump housing is stainless steel and self-draining. A stainless steel strainer with a removable basket is included. The pre-wash tank features a sloped design to ensure complete tank draining and to minimize soil build-up.

Power Rinse

Stainless steel power jets with stricture-free jets mounted below the wares and provide easy access for cleaning.

A 3.0 hp, 1725 RPM motor and pump is horizontally mounted. The pump housing is stainless steel and self-draining. A stainless steel strainer with a removable basket is included. The power rinse tank features a sloped design to ensure complete tank draining and to minimize soil build-up.

Machine Dimensions

Load		
Height	Depth	Length
36" (914.4 mm)	38-1/4" (972 mm)	36" (914.4 mm)

Pre-Wash Tank		
Height	Depth	Length
73" (1854 mm)	46" (1168 mm)	36" (914 mm)

Wash Tank		
Height	Depth	Length
73" (1854 mm)	46" (1168 mm)	36" (914 mm)

Power Rinse	
Height	Depth
73" (1854 mm)	46" (1168 mm)

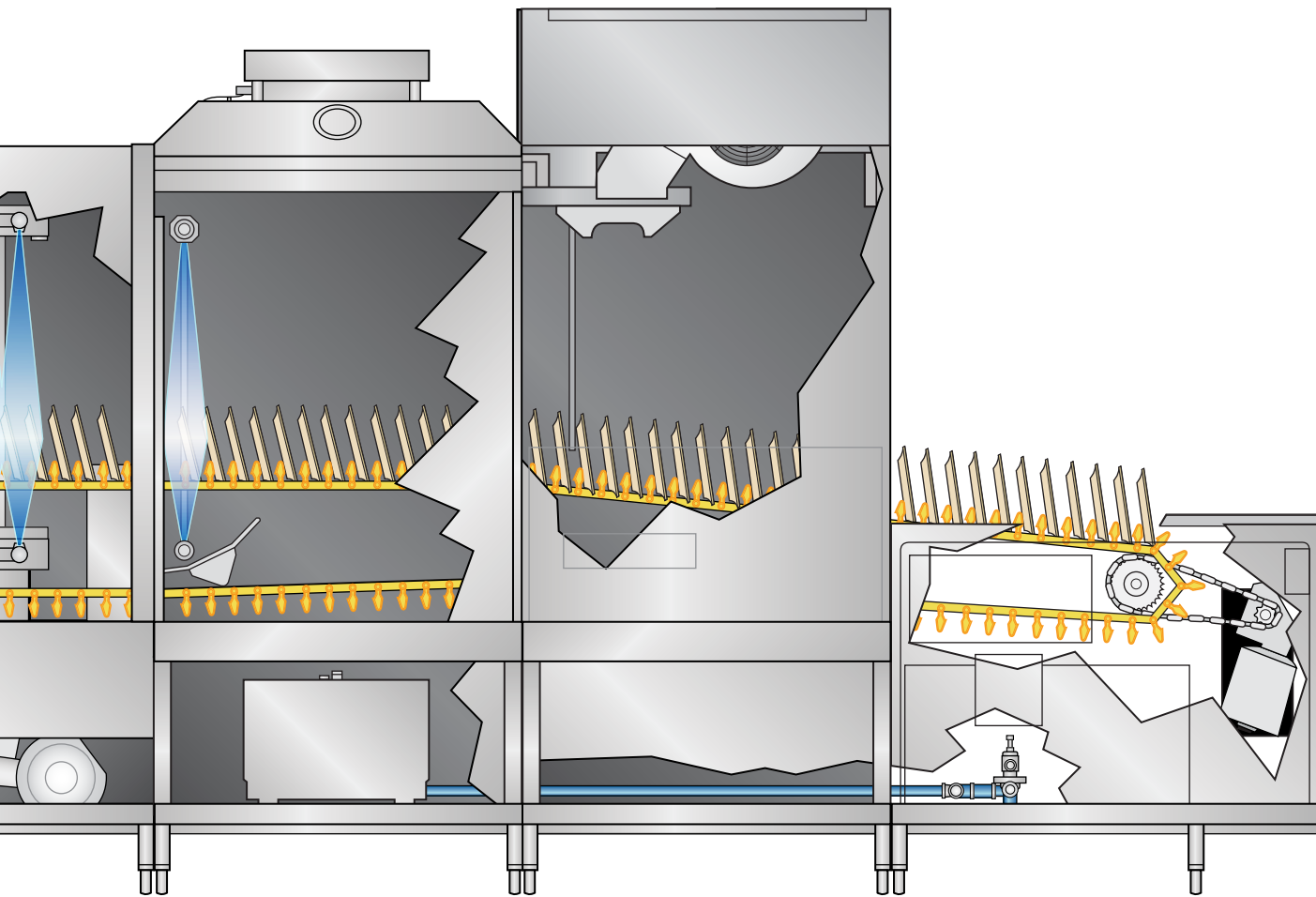
Shipping Dimensions

Load/Unload (Shipped Together)		
Height	Depth	Length
71" (1803 mm)	48" (1219 mm)	60" (1524 mm)
Weight: 621 lbs (282 kg)		

Pre-Wash Tank		
Height	Depth	Length
79" (2007 mm)	48" (1219 mm)	60" (1524 mm)
Weight: 642 lbs (291 kg)		

Wash Tank		
Height	Depth	Length
79" (2007 mm)	48" (1219 mm)	60" (1524 mm)
Weight: 642 lbs (291 kg)		

Power Rinse	
Height	Depth
79" (2007 mm)	48" (1219 mm)
Weight: 627 lbs (282 kg)	



Power Wash Tank

Power wash arms with
are easily removable

1725 RPM motor with a
impeller are
power wash tank features a
ensure complete tank
minimize soil build-up.

Final Rinse

Rainbow Rinse™ features an arched,
removable upper rinse arm that
provides superior rinse action while
reducing water usage.

The final rinse water will cascade back
to the power rinse, wash, then the
pre-wash tanks.

Blower Dryer

A stainless steel tunnel incorporated
into the discharge section of the
machine. The blower dryer keeps the
operating personnel from removing
the wares before they reach the end of
the unload section. An industrial
fan-type with a squirrel cage driven by
a 0.6 hp direct drive motor dries the
wares as they exit the machine.

***The Blower Dryer is an option and
must be specified at time of order.**

Unload

A "start/stop" switch is located at the
unload end of the machine for the
operator's convenience.

Unload platform is 14 gauge stainless
steel.

The drive wheel shaft is supported by
two heavy-duty grease-lubricated ball
bearings in pillow blocks.

Power Wash Tank

Depth	Length
36" (914 mm)	36" (914 mm)

Final Rinse

Height	Depth	Length
82" (2083 mm)	46" (1168 mm)	36" (914 mm)

Blower Dryer

Height	Depth	Length
88" (2235 mm)	38-1/4" (972 mm)	36" (914 mm)

Unload

Height	Depth	Length
36" (914 mm)	38-1/4" (972 mm)	42" (1067 mm)

Power Wash Tank

Depth	Length
36" (914 mm)	60" (1524 mm)
Weight: 284 lbs (129 kg)	

Final Rinse

Height	Depth	Length
88" (2235 mm)	48" (1219 mm)	60" (1524 mm)
Weight: 635 lbs (288 kg)		

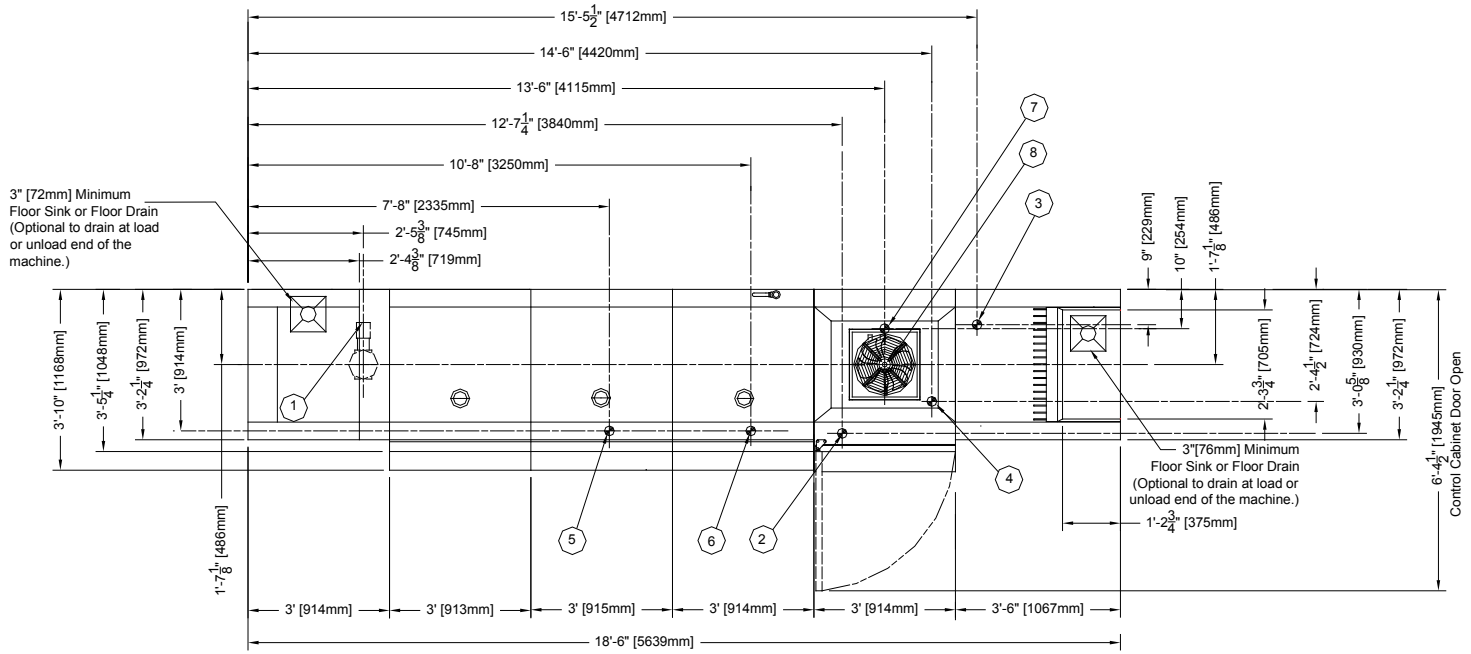
Blower Dryer

Height	Depth	Length
93" (2362 mm)	48" (1219 mm)	60" (1524 mm)
Weight: 504 lbs (229 kg)		

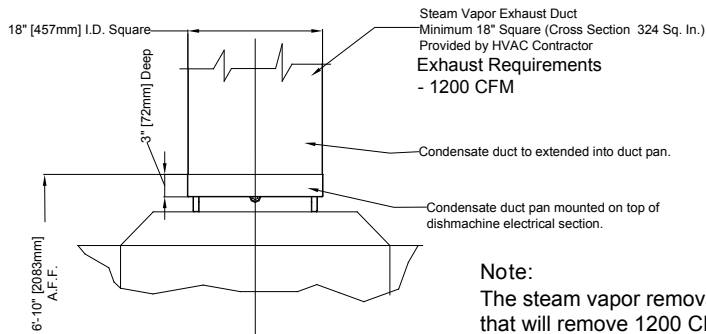
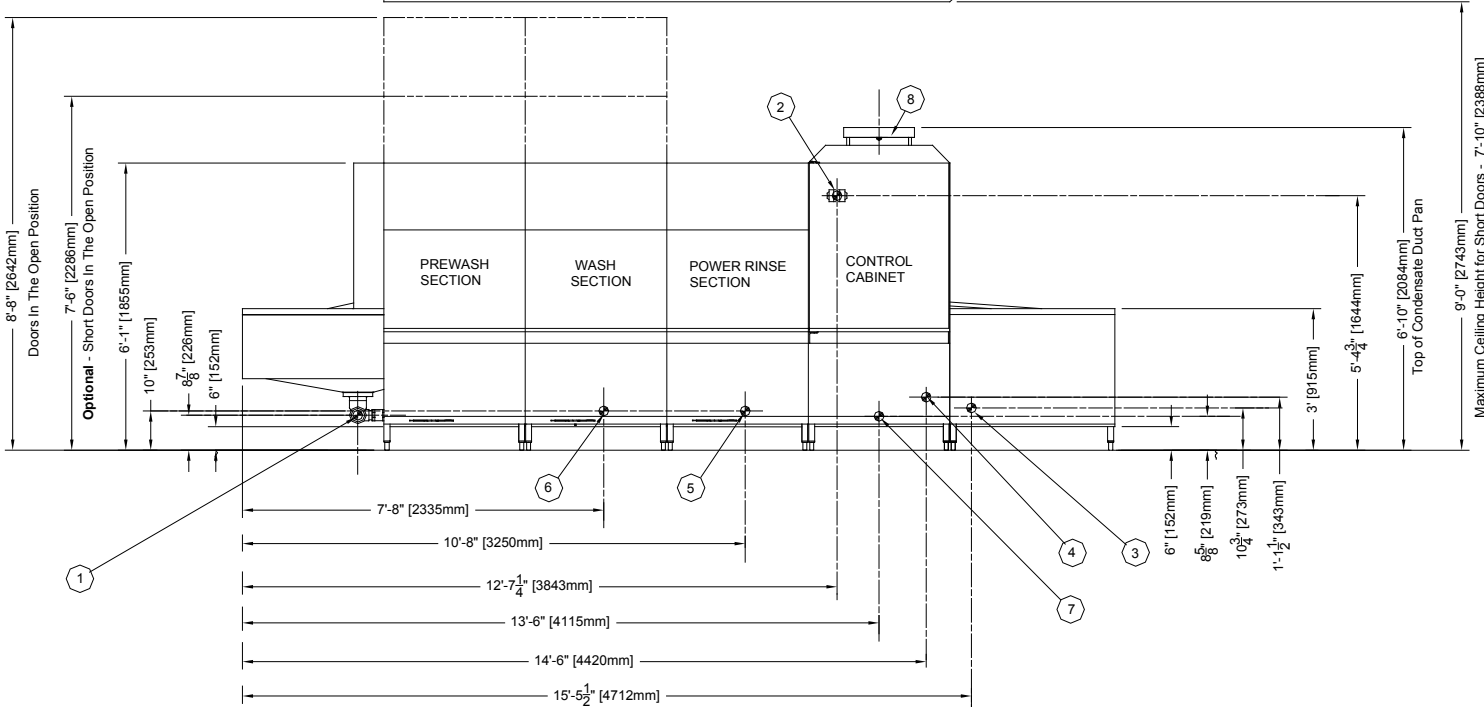
Unload

Shipped with Load End		
-----------------------	--	--

Steam



DIRECTION OF OPERATION →

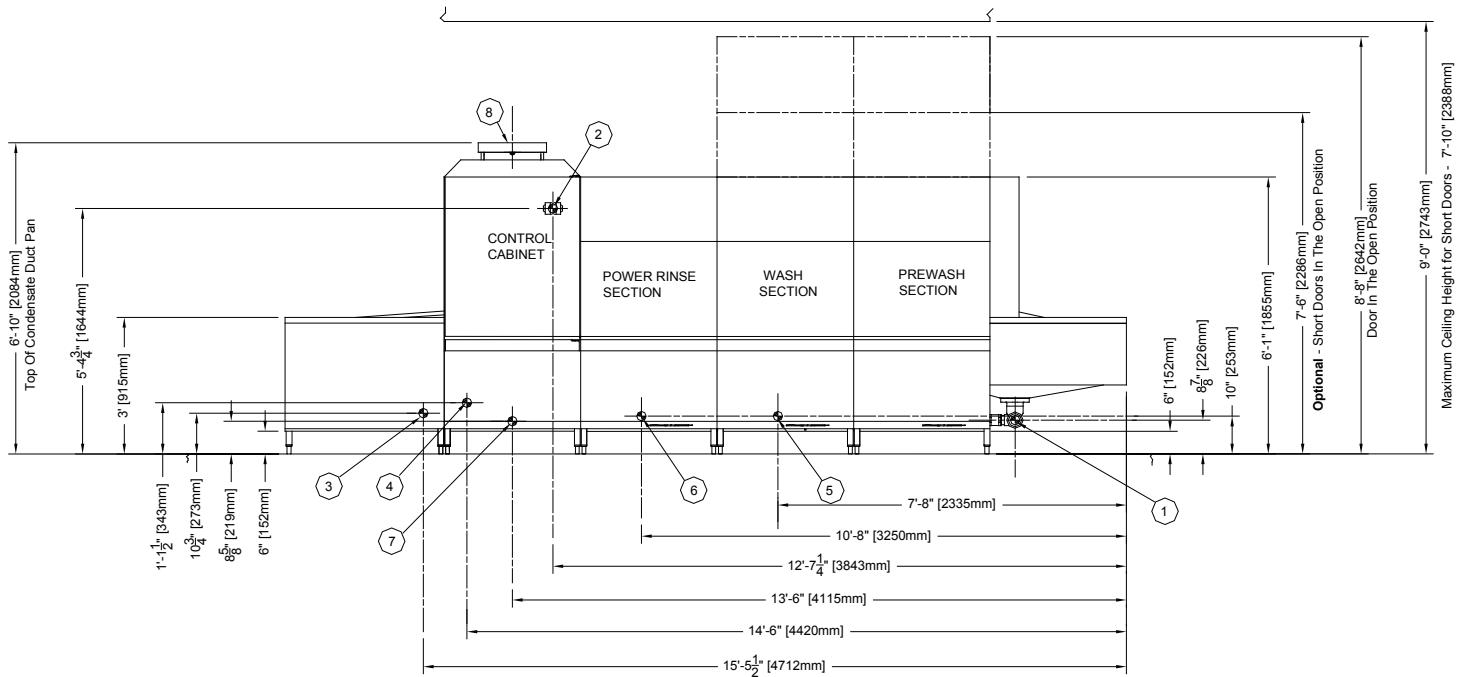
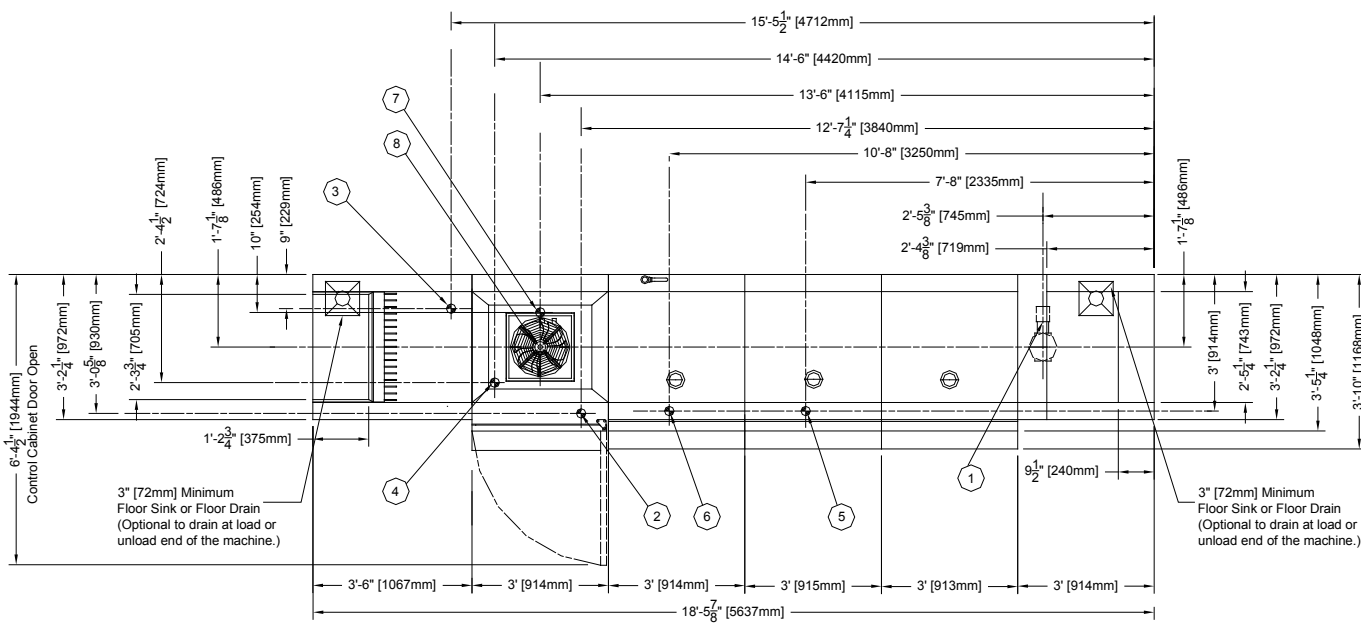


Legend

- 1 - 2" NPT Machine Drain Connection (Floor drain - optional to either end)
- 2 - Electrical Connection - See Table for Amp Draw
- 3 - 3/4" NPT Incoming Water Connection
- 4 - 1-1/2" NPT Steam Connection
- 5 - 3/4" NPT Wash Section Condensate Return
- 6 - 3/4" NPT Power Rinse Section Condensate Return
- 7 - 3/4" NPT Booster Heater Condensate Return
- 8 - Vent Connection - See Detail

Note:

The steam vapor removal system built into the dishmachine consists of a fan that will remove 1200 CFM. A single steam vapor connection must be provided by the installing contractor. This is an indirect connection that must be capable of removing 1200 CFM from the area.



Jackson Steam Rackless Conveyor				
Wash, Power Rinse & Final Rinse				
Steam tank heat electrical requirements with booster				
	Pump HP	208V	230V	460V
Wash Section	3	8.9	8.2	4.1
Power Rinse Section	3	8.9	8.2	4.1
Pre-Wash/Drive/Exhaust	3	11.4	10.4	5.4
Totals		29.2	26.8	13.6

Jackson Steam Rackless Conveyor with Blower Dryer				
Wash, Power Rinse & Final Rinse				
Steam tank heat electrical requirements with booster				
	Pump HP	208V	230V	460V
Wash Section	3	8.9	8.2	4.1
Power Rinse Section	3	8.9	8.2	4.1
Pre-Wash/Drive/Exhaust/Blower Dryer	3	18.6	16.9	8.4
Totals		36.4	33.3	16.6

JFT (steam) comes standard with a 2-point electrical hookup. For other variations, please contact the factory.

If water hardness exceeds 3 grains, a water softener is required

ELECTRICAL

An electromechanical control system for increased reliability mounted in a stainlesssteel control cabinet on the front of the machine. A step-down transformer is included to provide 115 volt, 60 cycles, 1 phase operation for controls including solenoid valves, timers, etc. Wiring is 105C, 600-volt thermoplastic insulated wire and routed through UL approved conduit.

Low watt density tubular heating elements are mounted inside the wash and power rinse tanks and are easily removable from the exterior of the unit. Heaters are protected by a water level float switch control and a high limit overload.

Tank water temperature is maintained by a fast reacting thermostat which will control the heating element.

STEAM

Stainless steel tubular steam coils mounted inside the wash and power rinse tanks below the optimum water level and protected by a water level float switch control. An external "Y" strainer and high temperature steam solenoid to regulate the flow of steam through the coil. Tank temperature is controlled and maintained by a fast reacting thermostat that will control the operation of the steam solenoid. A float and thermostatic steam trap to remove the condensate from the coil are included. Steam coils will require a 15-30 PSI flowing steam pressure.

BOOSTER HEATERS - ELECTRIC

An internally mounted 18 kW electric booster heater sized to raise incoming 110°F (43°C) water supply to 184°F (84°C) minimum for sanitizing rinse. The electric booster heater will have the capacity to heat 58 GPH from 110°F (43°C) to 184°F (84°C) minimum. The tank is designed for a working pressure 150 PSI and hydrostatically tested at 300 PSI. The heater is complete with all plumbing, including NPT pipe and fittings from inlet and outlet. Electric heating elements are metal sheathed controlled by a close tolerance immersion thermostat. The booster is protected with a high temperature limit switch and low water cut-off.

BOOSTER HEATERS - STEAM

An internally mounted steam booster heater sized to raise incoming 110°F (43°C) water supply to 184°F (84°C) minimum for sanitizing rinse. The steam booster heater will have the capacity to heat 58 GPH from 110°F (43°C) to 184°F (84°C) minimum. The tank is designed for a working pressure 150 PSI and hydrostatically tested at 300 PSI. The heater is complete with all plumbing, including NPT pipe and fittings necessary to meet all installation requirements.

DIMENSION REQUIREMENTS	
Wall Clearance (Minimum)	3" (19 mm)
Inside Clearance	25"H x 30"W (635 mm x 762 mm)

OPERATING CAPACITY	
Dishes per Hour - Belt Speed 5.3 FPM (1.6 MPM)	8,772
Dishes per Hour - Belt Speed 6.7 FPM (2.0 MPM)	11,094

OPERATING TEMPERATURES	
Pre-Wash (Recommended)	140°F (60°C)
Wash (Minimum)	152°F (67°C)
Rinse (Minimum)	162°F (72°C)
Final Rinse	184°F (84°C)

MOTORS	
Pre-Wash Pump Motor	3.0 hp
Wash Pump Motor	3.0 hp
Power Rinse Pump Motor	3.0 hp
Conveyor Drive Motor	1/4 hp

STEAM REQUIREMENTS	
Steam Flow Pressure (PSIG)	15-30
Consumption @110°F Incoming Water Temp (Tanks only)	200 lbm/hr
Consumption @110°F Incoming Water Temp (70° F Rise Booster)	68 lbm/hr
Consumption with blower dryer	34 lbm/hr

WATER REQUIREMENTS	
Inlet Temperature	110°F (43°C)
Gallons per Hour	58 gal (219.5 L)
Waterline Size IPS (Minimum-inches)	3/4" (19 mm)
Drainline Size IPS (Minimum-Inches)	2" (51 mm)
Flow Pressure (PSIG)	15

TANK CAPACITY	
Pre-Wash Tank	36 gal (136 L)
Wash Tank	36 gal (136 L)
Power Rinse Tank	36 gal (136 L)

PUMP CAPACITY	
Pre-Wash Pump	260 GPM (984 LPM)
Wash Pump	260 GPM (984 LPM)
Power Rinse Pump	260 GPM (984 LPM)

HOW TO SPECIFY: LoH₂O JFT

SHIPPING ADDRESS
6209 North U.S. Highway 25E
Gray, KY 40734

MAILING ADDRESS
P.O. Box 1060
Barbourville, KY 40906

Tel: 1-888-800-5672
Fax: 606-523-1799
info@jacksonmsc.com

www.jacksonmsc.com
07610-003-94-17 (07/30/12)

